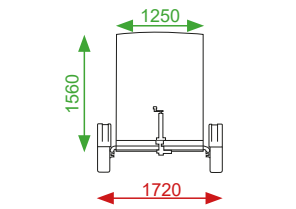
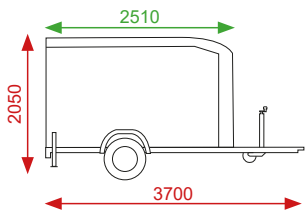








Box-Vans  
**Debon**  
 ROADSTER  
**255**



Outside dimensions →  
 Inside dimensions ←

- Single axle braked 1300kg
- Galvanised steel chassis with aluminium extrusion framework
- Roof and front one solid fiberglass part
- Plywood side walls
- Anti slip multiplex floor
- Shockproof ABS mudguards
- Automatic jockey wheel with manoeuvring handle
- Aluminium two-way rear opening door/ramp
- Protected lights
- Tie-rings x4
- Interior light
- 2 prop stands
- Wheel chocks

**OPTIONALS**

- Aluminium side walls
- Lateral door
- Shock absorbers



Unladen weight = 370 kg  
 Max. gross weight = 750 to 1300 kg

Colors



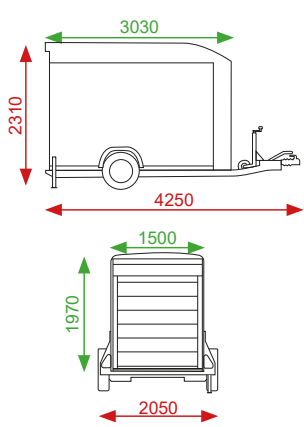




Box-Vans  
**Debon**  
 ROADSTER  
**300**



**PULLMAN 2**  
 performance



- Single axle braked 1300kg
- Pullman 2 Suspension (Low chassis and galvanised suspension system)
- Galvanised steel chassis with aluminium extrusion framework
- Roof and front one solid fiberglass part
- Plywood side walls
- Anti slip multiplex floor
- Shockproof ABS mudguards
- Automatic jockey wheel with manoeuvring handle
- Aluminium two-way rear opening door/ramp
- Protected lights
- 2 prop stands
- Tie-rings x4
- Interior light
- Wheel chocks

**OPTIONALS**

- Aluminium side walls
- Sandwich side walls + lateral flap
- Lateral door



Unladen weight = 460 kg  
 Max. gross weight = 750 to 1300 kg

Colors



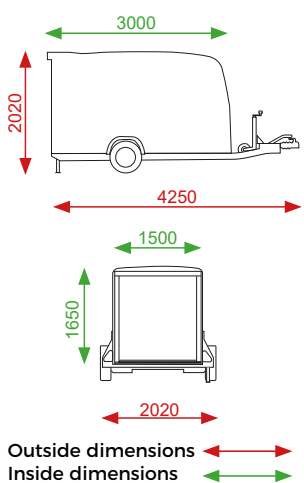




Box-Vans  
**Debon**  
**CARGO**  
**1300**



**PULLMAN 2**  
 performance



- Single axle braked 1300kg
- Pullman 2 Suspension (Low chassis and galvanised suspension system)
- Galvanised steel chassis with aluminium extrusion framework
- Total height 2,05m (fits in the average garage)
- Fiberglass bodywork
- Anti slip multiplex floor
- Skockproof ABS mudguards
- Automatic jockey wheel with manoeuvring handle
- Aluminium two-way rear opening door/ramp
- Protected lights
- 2 prop stands
- Tie-rings x4
- Interior light
- Wheel chocks

**OPTIONALS**

- Lateral door



Unladen weight = 445 kg  
 Max. gross weight = 750 to 1300 kg

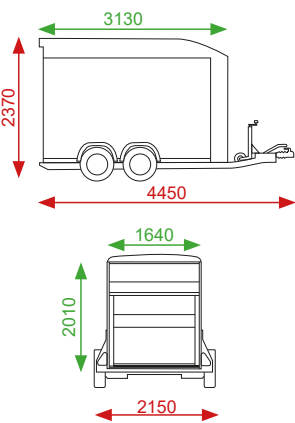
Colors







# ROADSTER 500



- Tandem-axle braked
- Pullman 2 Suspension (Low chassis and galvanised suspension system)
- Galvanised steel chassis with aluminium extrusion framework
- Roof and front one solid fiberglass part
- Plywood side walls
- Anti slip aluminium floor, 5 years warranty
- Shockproof ABS mudguards
- Automatic jockey wheel with manoeuvring handle
- Aluminium two-way rear opening door/ramp
- Protected lights
- Tie-rings x6
- Interior light
- Wheel chocks

### OPTIONALS

- Aluminium side walls
- Sandwich side walls + lateral flap
- Lateral door



Unladen weight = 625 kg  
Max. gross weight = 1100 to 2000 kg

Colors



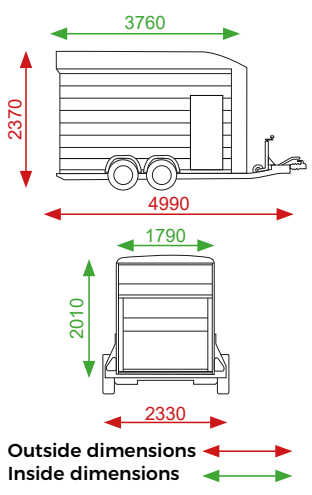




Box-Vans  
**Debon**  
**ROADSTER**  
**700**



**PULLMAN 2**  
 performance



- Tandem-axle braked
- Pullman 2 Suspension (Low chassis and galvanised suspension system)
- Galvanised steel chassis with aluminium extrusion framework
- Roof and front one solid fiberglass part
- Anti slip aluminium floor
- Aluminium side walls, 5 years warranty
- Shockproof ABS mudguards
- Automatic jockey wheel with manoeuvring handle
- Aluminium two-way rear opening door/ramp
- Protected lights
- Tie-rings x8
- Interior light
- Wheel chocks
- Lateral door



Unladen weight = 705 kg  
 Max. gross weight = 1400 to 2600 kg

Colors







PICTURE MODEL - ROADSTER 900

**Box-Vans**  
**Debon**

**ROADSTER**  
**800/900**



**PULLMAN 2**  
performance

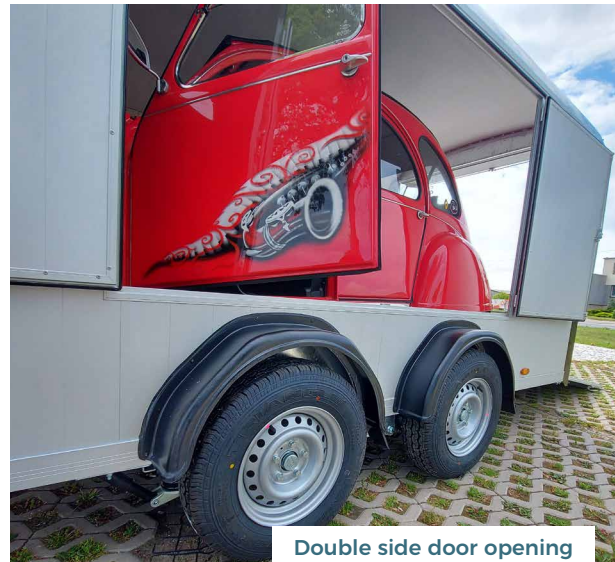
Colors



**Aluline** 5 YEARS WARRANTY

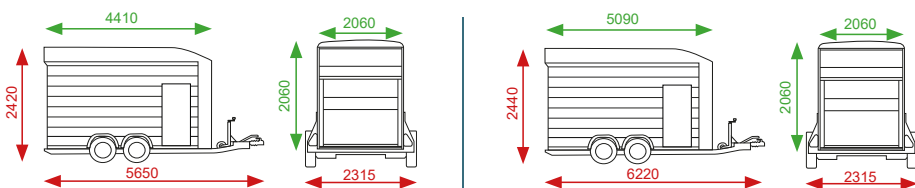
5 years warranty on aluminium parts

- Tandem-axle braked
- Pullman 2 Suspension (Low chassis and galvanised suspension system)
- Galvanised steel chassis with aluminium extrusion framework
- Roof and front one solid fiberglass part
- Anti slip aluminium floor
- Aluminium side walls, 5 years warranty
- Shockproof ABS mudguards
- Automatic jockey wheel with manoeuvring handle
- Aluminium two-way rear opening door/ramp
- Rear opening dimensions: 1770x1800mm
- Protected lights
- Tie-rings x8
- Interior light
- Wheel chocks
- Lateral door



Double side door opening

Unladen weight Roadster 800 = 1000 kg  
Unladen weight Roadster 900 = 1100 kg  
Max. gross weight = 2700 to 3500 kg



**ROADSTER 800**

Outside dimensions  
Inside dimensions

**ROADSTER 900**





## CONSTRUCTION



**Lateral door with key lock**  
All



**Double lateral door**  
Roadster 800 and Roadster 900



**Lateral flap**  
Roadster 300 and Roadster 500



**Loading ramps**  
Roadster 800 - length 3600 mm  
Roadster 900 - length 4500 mm



**Alu rims 14'**  
All, except Roadster 255



**Spare wheel + bracket**  
All

## ACCESSOIRES



**Interior fittings**  
Upon request, for further information contact your local Debon dealer



**Safety lock**



**Additional security lock**



**Galvanised steady stand**



September 2022 - Non-binding documents



info@debon-trailers.com  
www.debontrailers.com



Your dealer